

INSTALLATION MANUAL

ECO PRO SOLAR MOUNTING SYSTEM

General	01
Tools overview	02
Components	03
Steps for installing mounting system	04
• Confirm the legs position	04
• Fixed the Base on the Foundation	04
• Install Mid Clamps to Fix Solar Panels	05
• Install End Clamps to Fix Solar Panels	05

Quality tested-several certifications

WOCHN Systems stands for secure connections, highest quality and precision. Our customers and business partners have known that for a long time. Independent institutes have tested, confirmed and certified our capabilities and components

Please find our quality and product certificates under:

<https://www.wochnmounting.com/>

Disclaimer

This manual describes the proper installation procedures and provides minimum standard required for product reliability and warranty. This installation instruction is based on the state of the art and many years of experience in how our systems can be installed on site. Due to the many variables and requirements associated with a specific installation. Because of this, these instructions only serve as a guideline for the installation of the product described in this manual.

- The equipment may only be installed and operated by qualified and adequately trained installers.
- Prior to installation, ensure that the product complies with on-site static loading requirements
- National and local building regulations and environmental requirements must be adhered to.
- All work must comply with national, state and local installation procedures, product and safety standards.
- Compliance with health and safety regulations, accident prevention guidelines and applicable standards is required.
- Protective equipment such as safety helmet, boots and gloves must be worn.
- Validate foundation parameters prior to installation, We recommend consulting with a local engineer familiar with local regulations and build site requirements, including soil conditions, terrain and load criteria. All parameters may impact foundation requirements.
- At least two people must be present for the duration of the installation work in order to provide rapid assistance in the event of an emergency.
- At least one copy of the assembly instructions should be available on site throughout the duration of the installation.
- Failure to adhere to our general safety and assembly instructions and not using all system components,
- WOCHN is not liable for any resulting defects or damages. We do not accept liability for any damage resulting in the use of competitor' s parts. Warranty is excluded in such cases.
- Dismantling of the system is performed in reverse order to the assembly
- The manual provides guidelines for installation, but it does not guarantee the quality of installation work. Please complete the installation in a responsible and professional manner.



8



8mm



NM

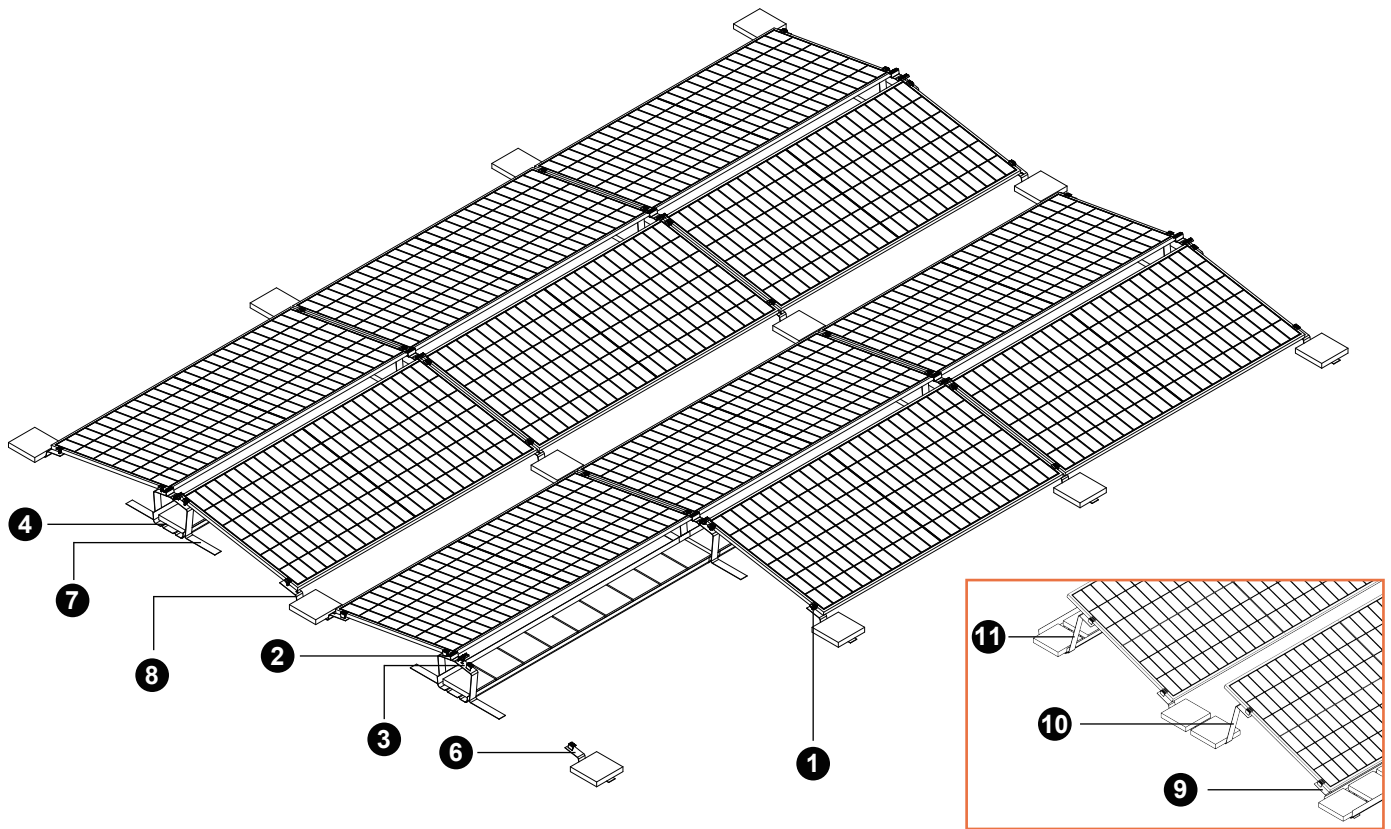


Torque Values

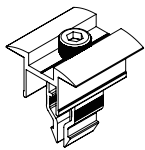
Fix Mid Clamp and panels : 10N • m

Fix End Clamp and panels : 10N • m

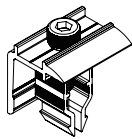
1. Parts Overview



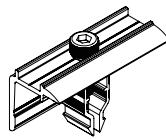
2. Universal components



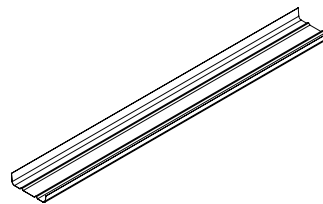
1. Mid clamp (universal)



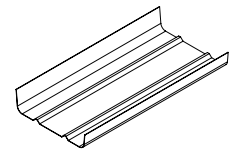
2. End clamp (universal)



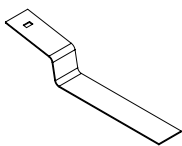
3. End clamp (W/E)



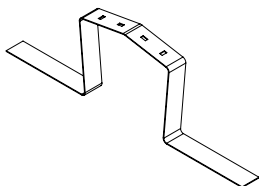
4. Ballast tray 1



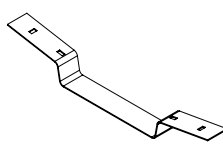
5. Ballast tray 2



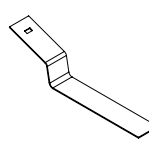
6. Front leg (W/E)



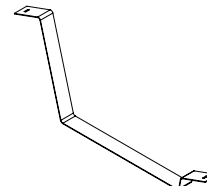
7. Connector leg (W/E)



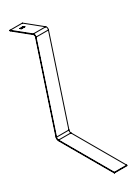
8. Back leg (W/E)



9. Front leg (N/S)



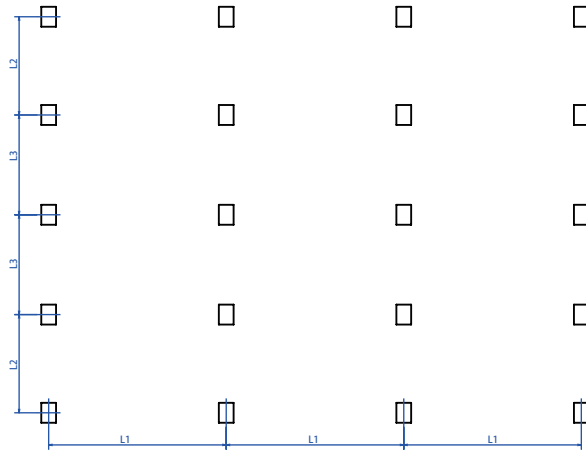
10. Connector leg (N/S)



11. Back leg (N/S)

1. Confirm the legs position

Confirm the front legs, back legs and connector legs position according to the drawing



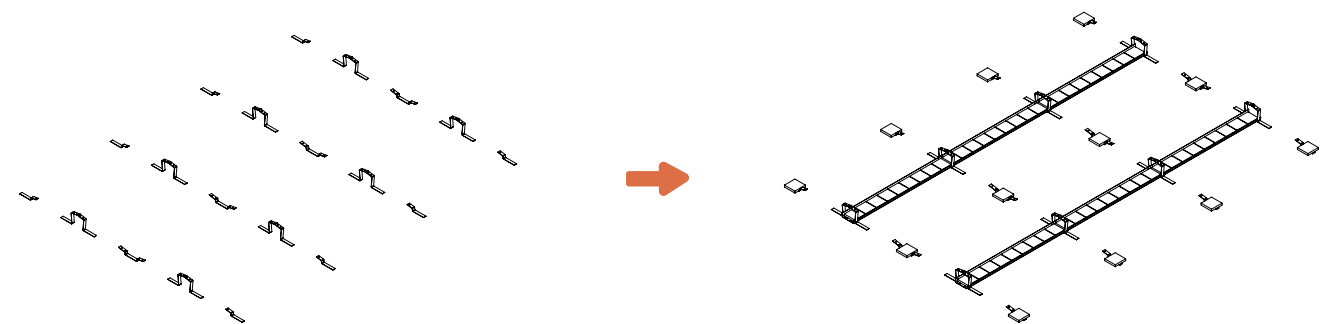
L1: Longitudinal span
L2, L3: Transverse span

2. Fixed the Base on the Foundation

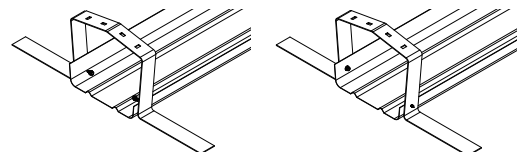
Choice 1 No Ballast



Choice 2 With Ballast

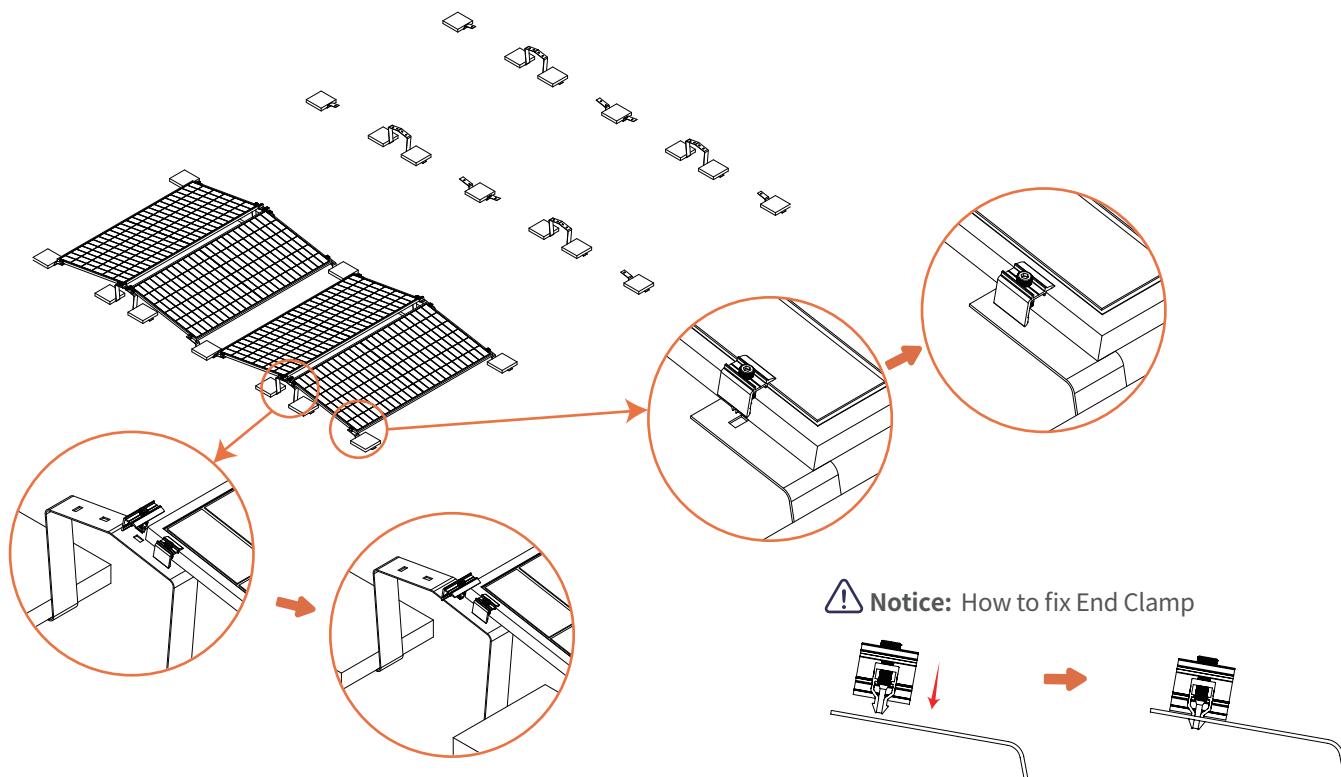


Notice: How to fixed ballast with connector leg



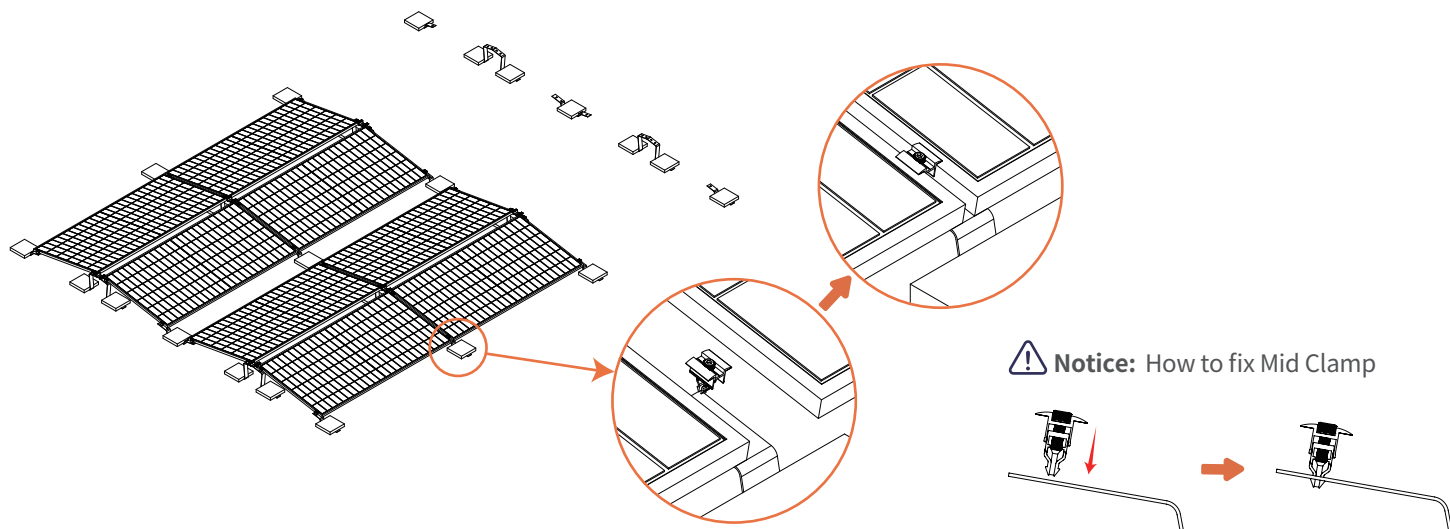
3. Install End Clamps to Fix Solar Panels

Confirm the position of the first solar panel, click the end clamp into it, then secure them with an M8 hexagonal wrench or drill bit.



4. Install Mid Clamps to Fix Solar Panels

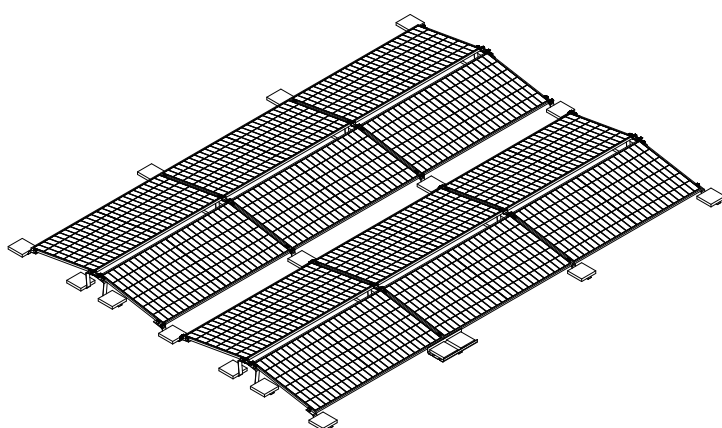
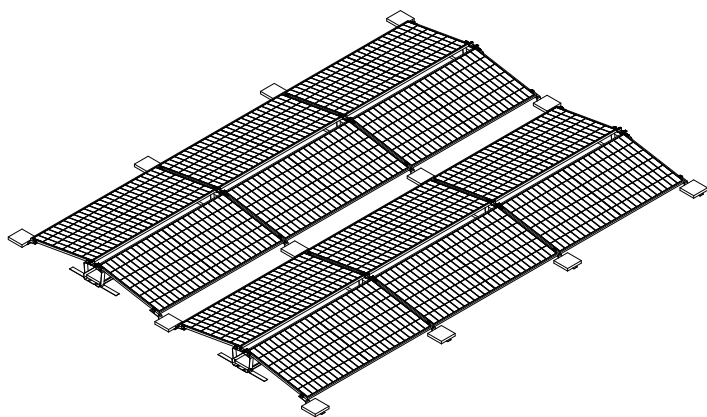
After installing the first panels, then install the following panels. After confirming that the solar panels are at the same level, insert the mid clamp into legs. And fix them with an M8 hexagonal wrench or electric drill. Repeat the above steps until the last solar panel is fixed by end-clamp.



5. Final Product Display

Make sure all components are securely fastened. Verify ECO Pro solar mount system that is installed correctly, reaches the required height, angle and position.

East to West



South to North

