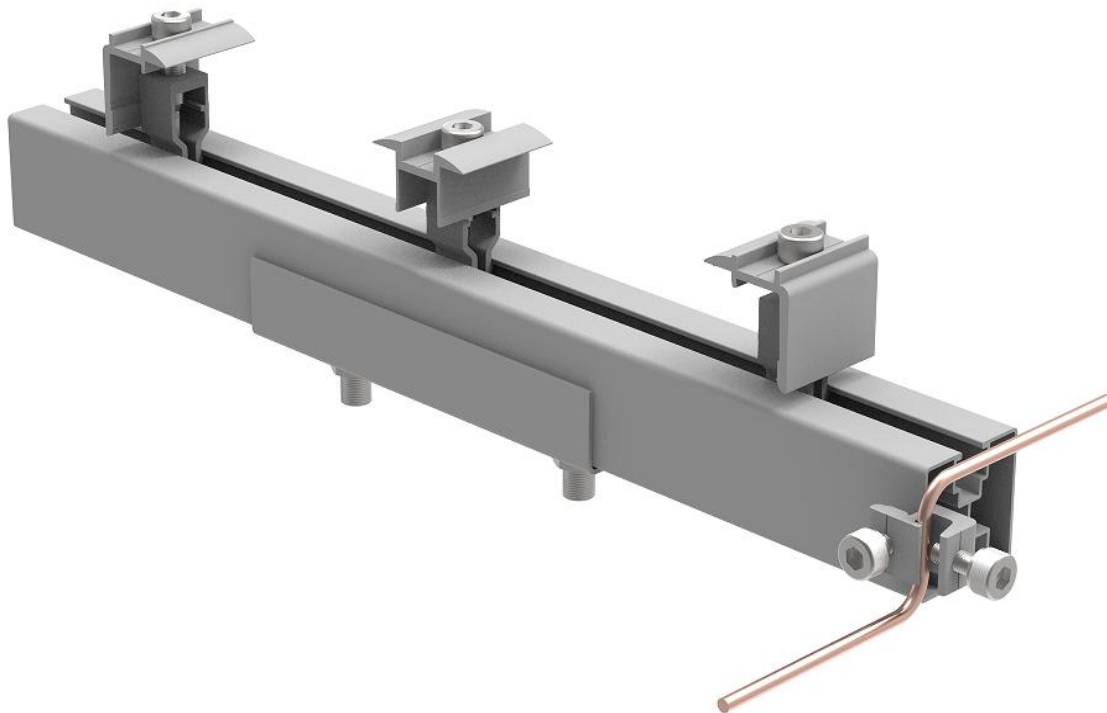
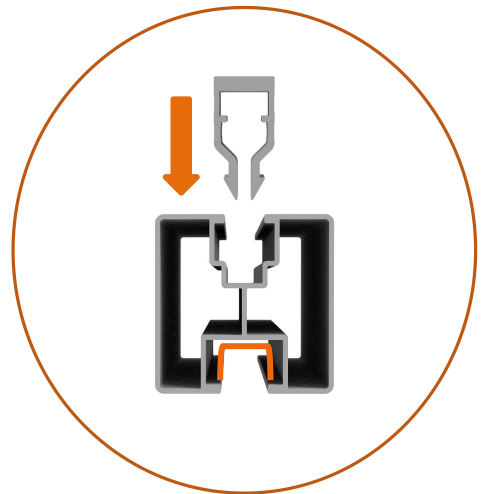
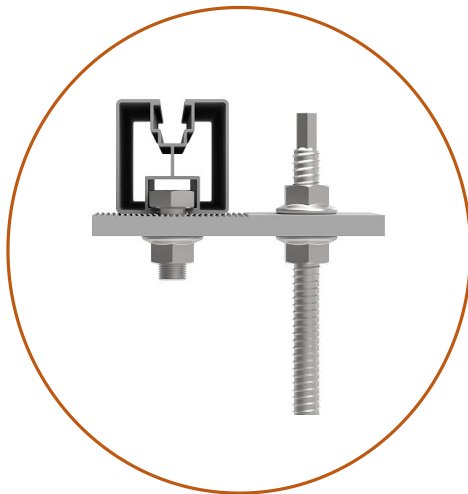
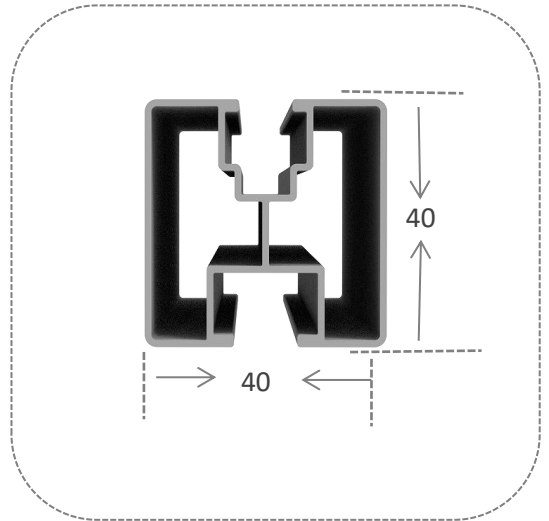
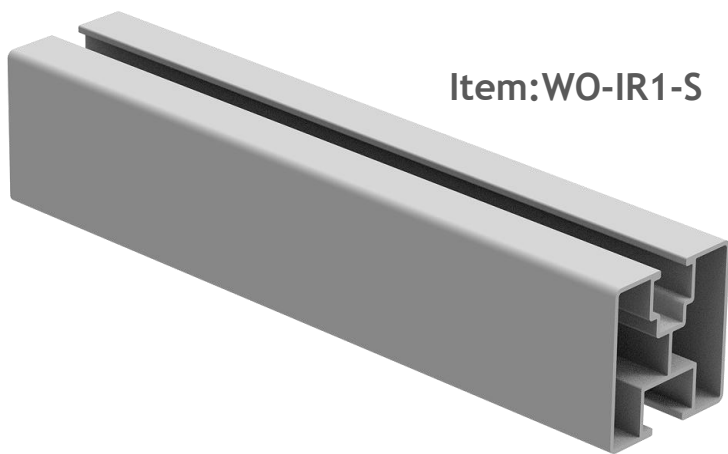


The components of WOCHN IR Rail System have been fully improved, with click installation design, simple and quick installation, and can be perfectly applied to trapezoidal metal sheet roofs, tile roofs, corrugated plate roofs, flat concrete roofs,



- Universal mid clamp & end clamp for 30-35mm modules installation
- Double supported rail joiner, stronger
- Optimal mechanics rail, stronger
- Easier installation
- Click installation way

WOCHN IR Rail have been well improved and realize optimal mechanic design. It can be perfect used on trapezoid metal sheet roof, tile roof, corrugated sheet roof, flat concrete roof with cost-effective price

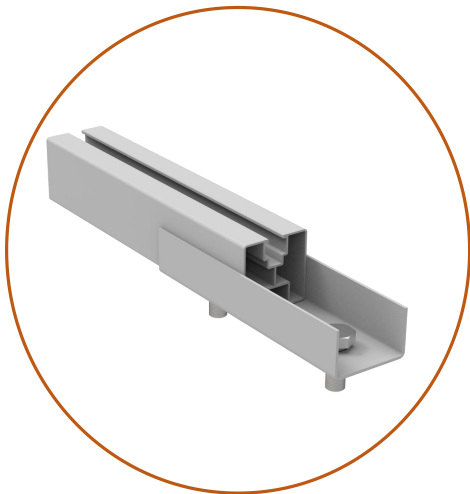
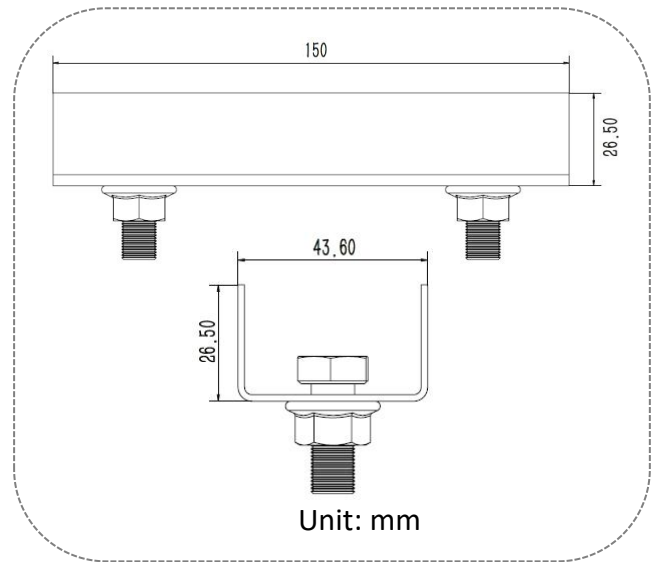
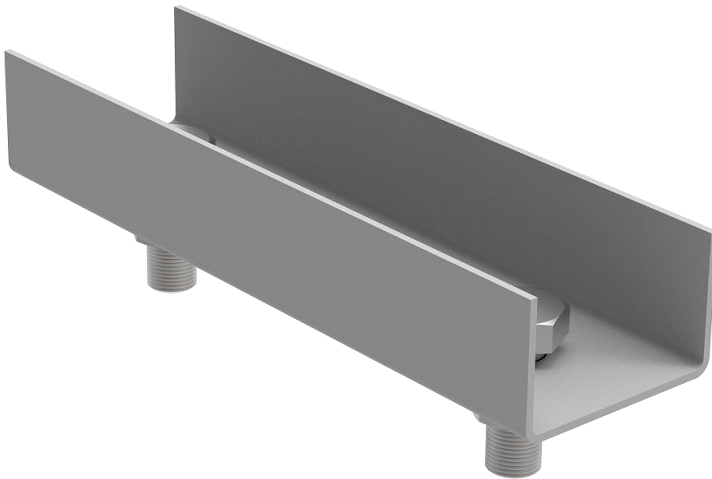


IR Rail Splice

WOCHN IR Rail Splice Kit designed for connecting IR rail, lock from rail bottom, double supported make the system more stronger.

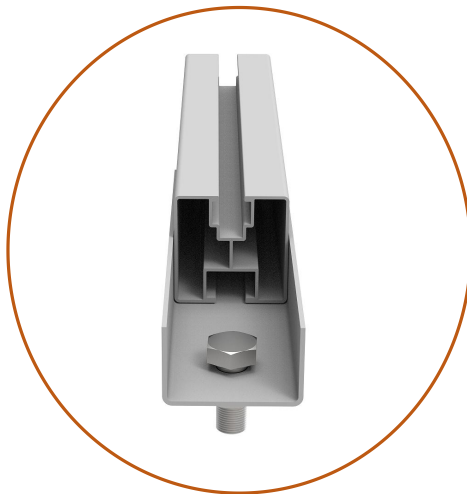
- Material: Al6005-T5
- Color: Silver
- Length: 150 mm
- Size: 150*26.5mm

Item: WQ-IR1-RSK-S



Artistic

Coordinated with IR Rail System



Easy Installation

Easy to mount connect two rail with fixing two screws

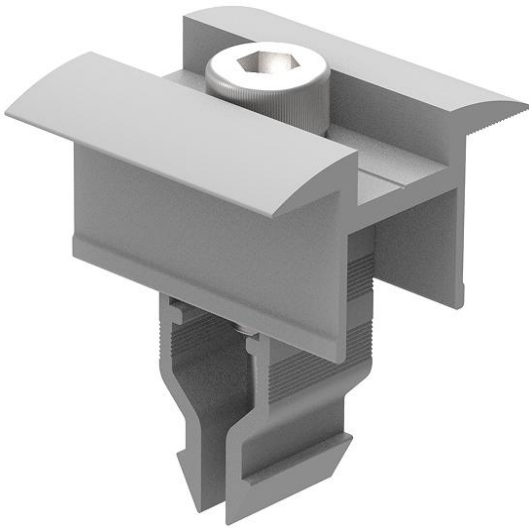


Strong

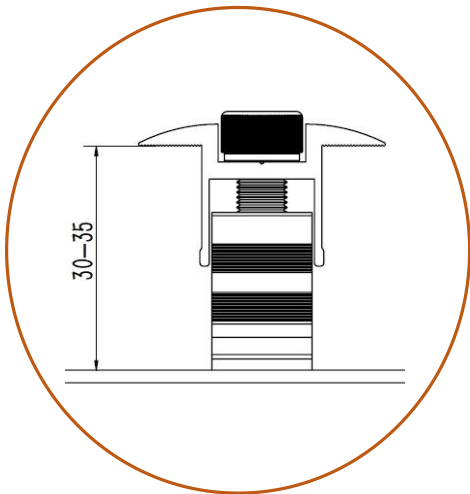
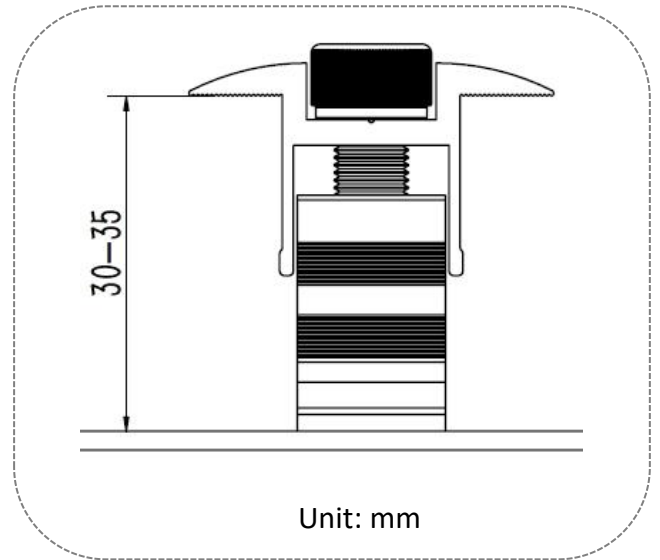
Double supported in bottom make it connect more tightly

WOCHN One Mid Clmap is universal for fix 30-35 mm thickness solar modules, self-standing make it easy installation, earthing clip integrated with grounding pins to make the system safety.

- Material: Al6005-T5
- Color: Silver
- Width:38 mm
- Size: for 30-35mm thickness solar modules

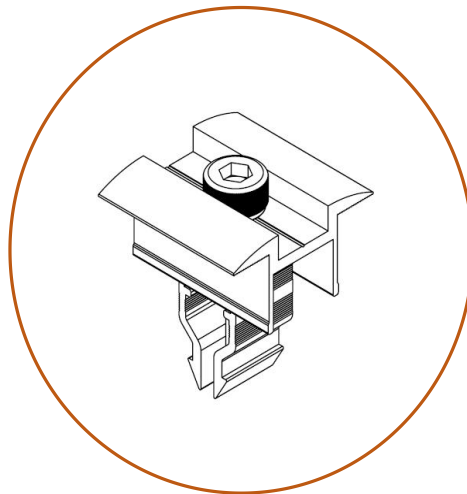


Item:
WO-IRM-3035-S



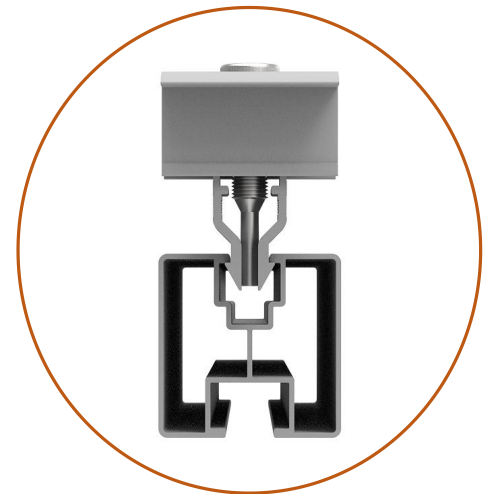
Universal

Universal for 30-35 mm thickness solar modules



Easy & Safe

Click installation way, and clamps are self standing

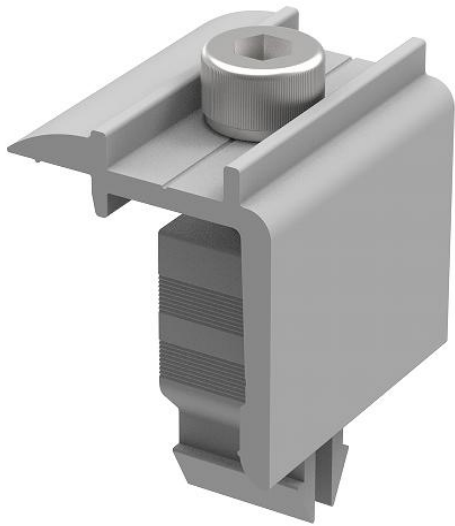


Strong

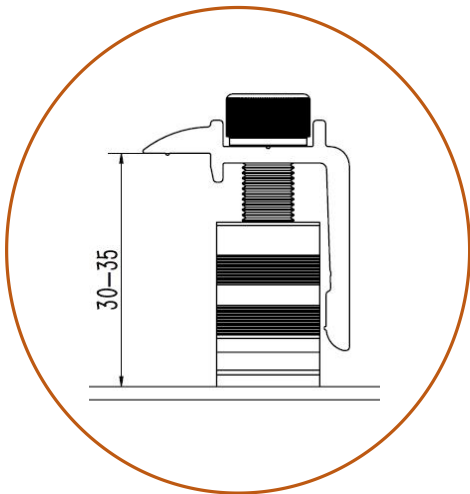
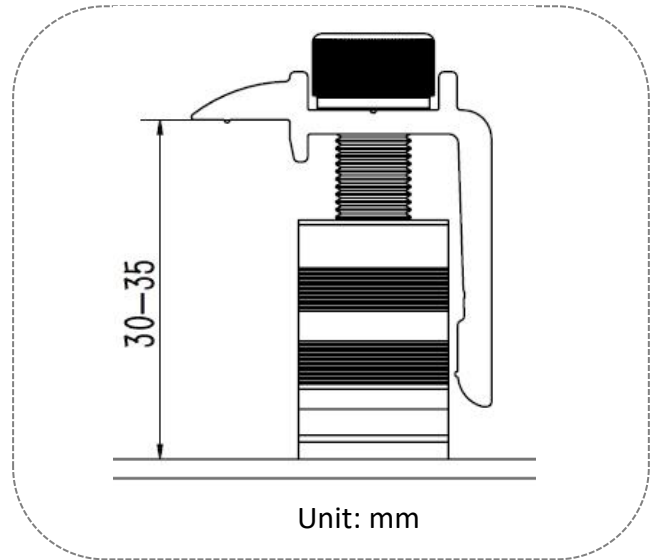
Click installation way, Makes installation quicker and easier

WOCHN One End Clmap is universal for fix 30-35 mm thickness solar modules, self-standing make it easy installation.

- Material: Al6005-T5
- Color: Silver
- Width: 38 mm
- Size: for 30-35mm thickness solar modules

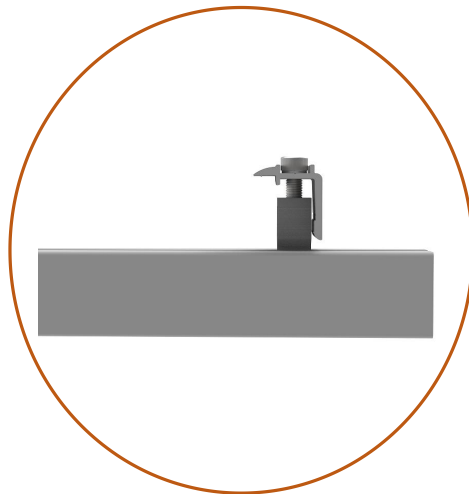


Item:
WQ-IRE-3035-S



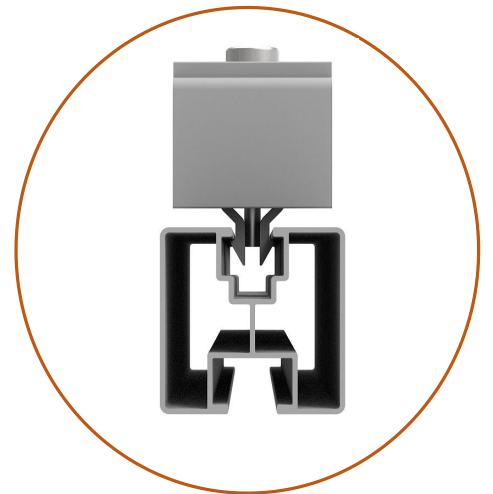
Universal

Universal for 30-35 mm thickness solar modules



Easy Installation

Click design, self-standing make easy installation

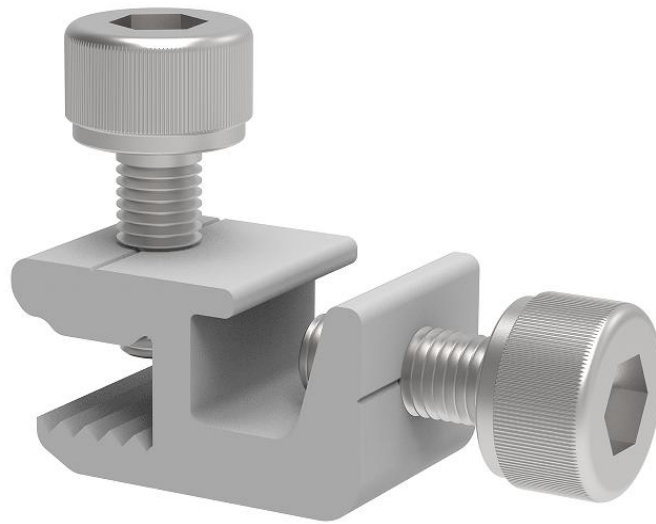


Strong

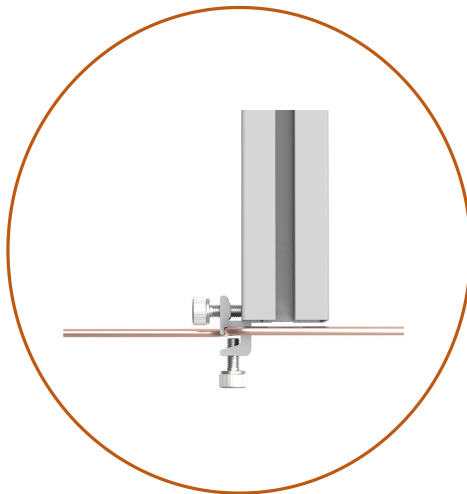
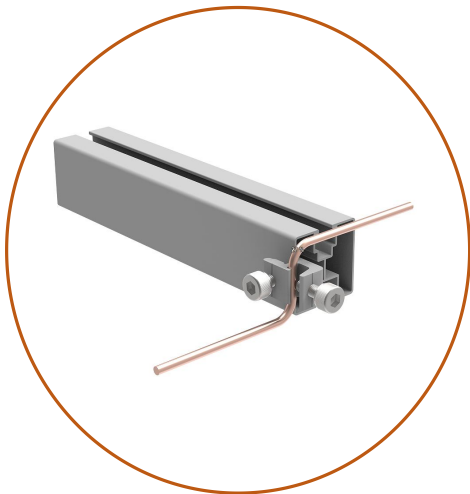
Inverted tooth make it fix the modules frame more tightly

WOCHN grounding lug used to make the PV system safety.

- Material: Al6005-T5
- Color: Silver



Item:WQ-ICR-GL-S



Easy Installation